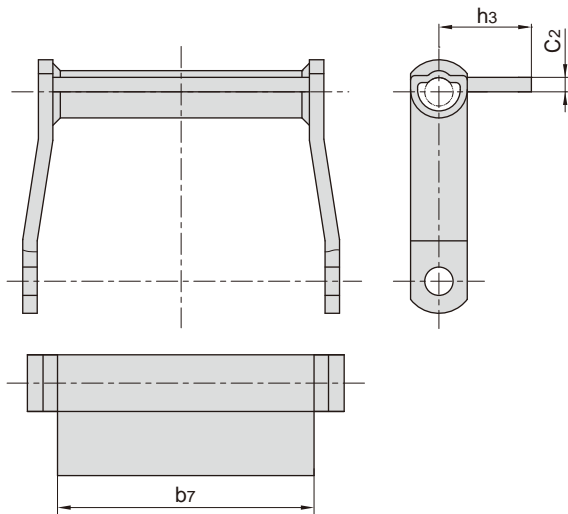


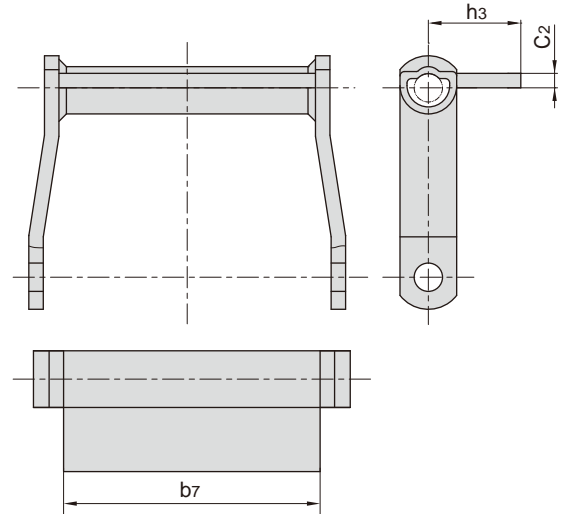
曳引用焊接结构弯板链附件 Welded-steel-type drag chains with attachments

带C1附件
With C1 attachments



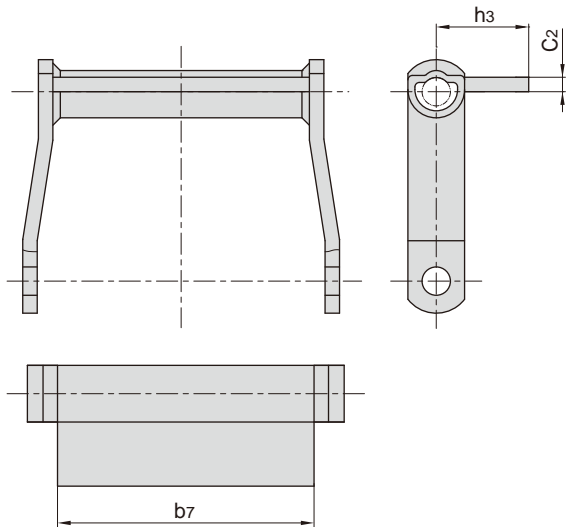
ISO链号 ISO Chain No.	C2	b7 max	h3 max
	mm	mm	mm
WD102	9.7	197.1	62.0
WD104	9.7	136.9	62.0
WD110	9.7	263.9	62.0
WD112	9.7	263.9	62.0
WD116	9.7	359.2	68.1

带C4附件
With C4 attachments



ISO链号 ISO Chain No.	C2	b7 max	h3 max
	mm	mm	mm
WD102	9.7	197.1	96.8
WD104	9.7	136.9	96.8
WD110	9.7	263.9	96.8
WD112	9.7	263.9	96.8
WD113	12.7	270.3	122.2
WD116	9.7	359.2	125.5
WD480	12.7	324.1	128.5

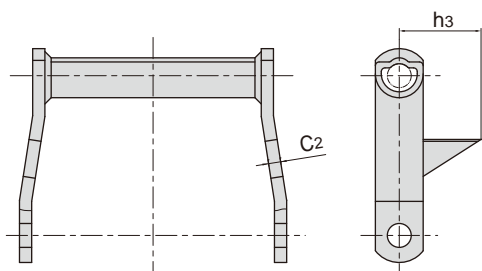
带C3附件
With C3 attachments



ISO链号 ISO Chain No.	C2	b7 max	h3 max
	mm	mm	mm
WD110	12.7	263.9	58.7
WD113	12.7	270.3	58.7
WD118	12.7	378.2	77.7
WD480	12.7	324.1	77.7

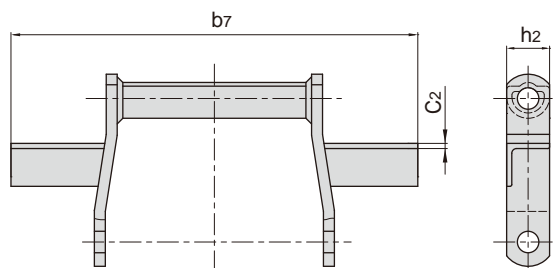
曳引用焊接结构弯板链附件 Welded-steel-type drag chains with attachments

带RR附件
With RR attachments

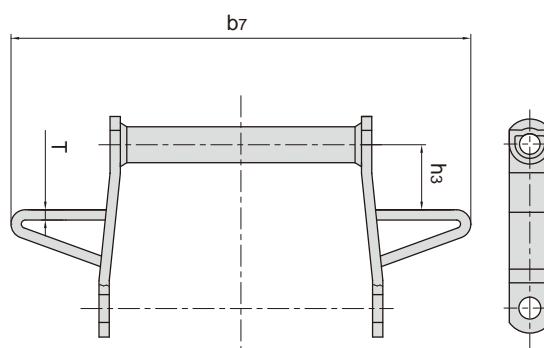


ISO链号 ISO Chain No.	C2 mm	h3 max mm
WD102	9.7	65.0
WD104	9.7	65.0
WD110	9.7	65.0
WD112	9.7	65.0
WD113	12.7	65.0
WD116	9.7	77.7
WD118	12.7	79.2
WD480	12.7	84.1

带Wing附件
With Wing attachments



ISO链号 ISO Chain No.	C2 mm	b7 max mm	h2 max mm
WD102	9.7	365.3	39.6
WD104	9.7	295.1	39.6
WD110	9.7	434.8	39.6
WD112	9.7	434.8	39.6
WD113	9.7	434.8	39.6
WD116	9.7	434.8	39.6
WD118	9.7	561.8	46.0
WD480	9.7	561.8	52.3



东华链号 Donghua Chain No.	h3 mm	b7 mm	T mm
WDH122F3	82.55	558.8	12.7